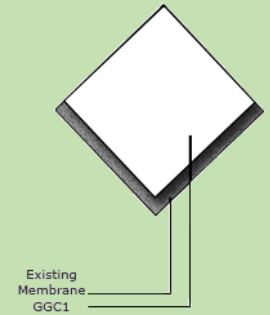


Roof Renewal System GGC 12

For Application on New or Existing BUR/Modified Bitumen Roof, Single Ply, PVC, TPO, Metal Panel, CSPE/Hypalon.

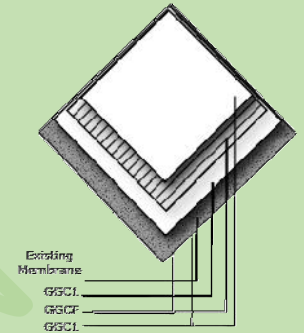
PRODUCT	RATE	DRY WEIGHT
GGC 1 Elastomeric Reflective Coating	1.5 gallons/100sq.ft.	11.0 Lbs
GGC 1 Elastomeric Reflective Coating	1.5 gallons/100sq.ft.	11.0 Lbs
GGC 12 Roof Renewal System		22.0 Lbs



Roof Renewal System GGC 15CC

For Application on New or Existing BUR/Modified Bitumen Roof, Single Ply, PVC, TPO, Metal Panel, CSPE/Hypalon.

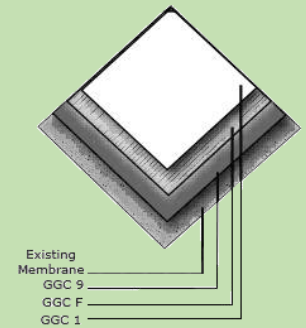
PRODUCT	RATE	DRY WEIGHT
GGC 1 Elastomeric Reflective Coating	3 gallons/100sq.ft.	22.0 Lbs
GGC F Polyester Fabric	1 ply/100sq.ft	2.1 Lbs
GGC 1 Elastomeric Reflective Coating	1.5 gallons/100sq.ft.	11.0 Lbs
GGC 1 Elastomeric Reflective Coating	1.5 gallons/100sq.ft.	11.0 Lbs
GGC 15CC Roof Renewal System		46.1 Lbs



Roof Renewal System ASC 15EC

For Application on New or Existing BUR/Modified Bitumen Roof, Single Ply, PVC, TPO, Metal Panel, CSPE/Hypalon.

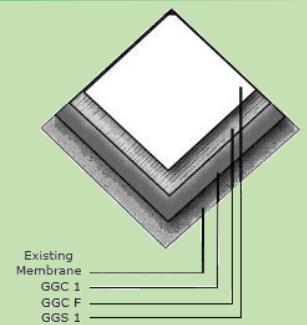
PRODUCT	RATE	DRY WEIGHT
GGC 9 Emulsion	3 gallons/100sq.ft.	23.0 Lbs
GGC F Polyester Fabric	1 ply/100sq.ft	2.1 Lbs
GGC 1 Elastomeric Reflective Coating	1.5 gallons/100sq.ft.	11.0 Lbs
GGC 1 Elastomeric Reflective Coating	1.5 gallons/100sq.ft.	11.0 Lbs
GGC 15CC Roof Renewal System		47.1 Lbs



Roof Renewal System ASC 20CC

For Application on New or Existing BUR/Modified Bitumen Roof, Single Ply, PVC, TPO, Metal Panel, CSPE/Hypalon.

PRODUCT	RATE	DRY WEIGHT
GGC 1 Elastomeric Reflective Coating	3 gallons/100sq.ft.	22.0 Lbs
GGC F Polyester Fabric	1 ply/100sq.ft	2.1 Lbs
GGC 1 Elastomeric Reflective Coating	2.5 gallons/100sq.ft.	11.0 Lbs
GGC 1 Elastomeric Reflective Coating	2.5 gallons/100sq.ft.	11.0 Lbs
GGC 20CC Roof Renewal System		60.7 Lbs



Roof Renewal System ASC 25

For Application on New or Existing BUR/Modified Bitumen Roof, Single Ply, PVC, TPO, Metal Panel, CSPE/Hypalon.

PRODUCT	RATE	DRY WEIGHT
GGC 9 Emulsion	6 gallons/100sq.ft.	22.0 Lbs
GGC F Polyester Fabric	1 ply/100sq.ft	2.1 Lbs
GGC 1 Elastomeric Reflective Coating	3 gallons/100sq.ft.	11.0 Lbs
GGC F Polyester Fabric	1 ply/100sq.ft.	2.1 Lbs
GGC 1 Elastomeric Reflective Coating	1.5 gallons/100sq.ft.	11.0 Lbs
GGC 1 Elastomeric Reflective Coating	1.5 gallons/100sq.ft.	11.0 Lbs
GGC 25 Roof Renewal System		71.2 Lbs

